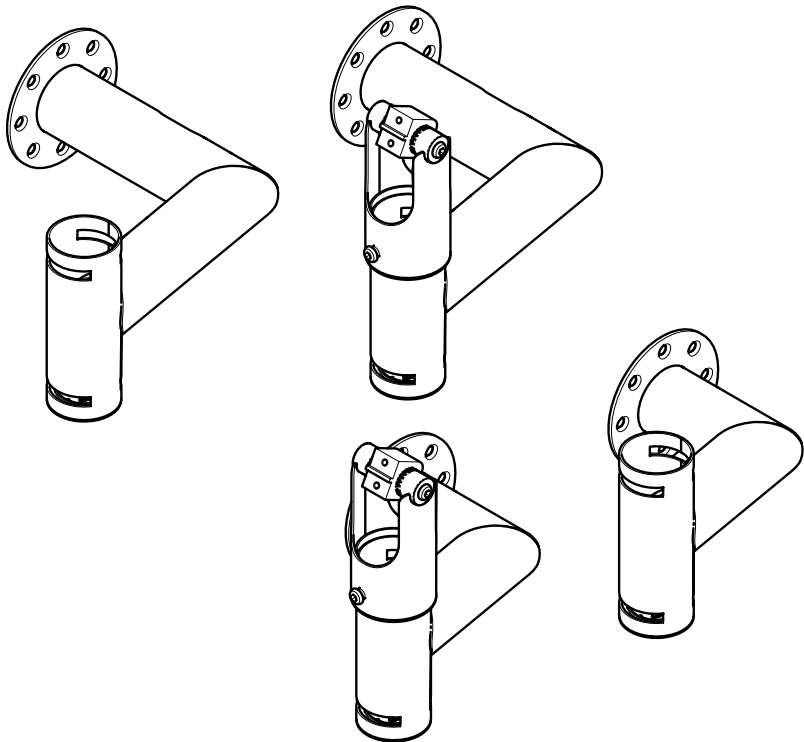


Installation Guide

SPSK506 + SPSK507 + SPSK508 + SPSK509

SCO Kiosk Peripheral arms



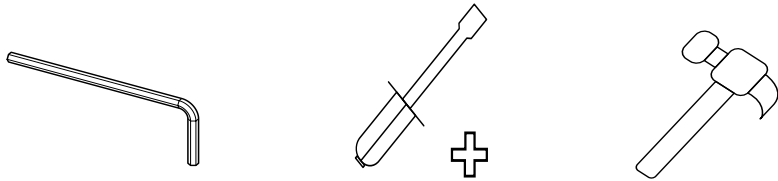
CAUTION

This product is intended for indoor use only.

If these installation instructions are not followed correctly, it could lead to product failure and potential personal injury.

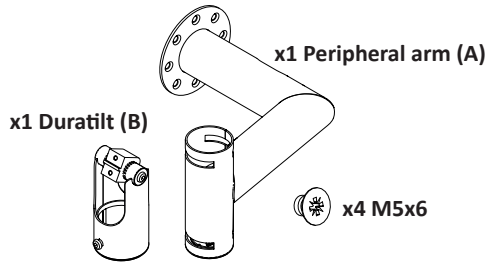
Ergonomic Solutions/SpacePole cannot be held responsible for any failure or injury, if the installation instructions are not followed correctly.

Tool list

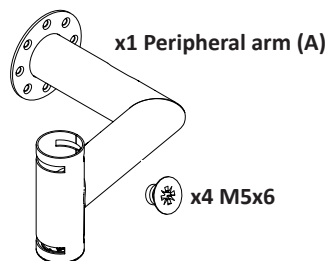


Box content

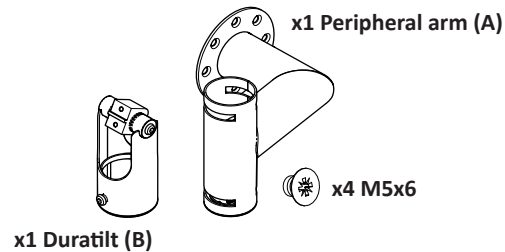
SPSK506 - landscape screens



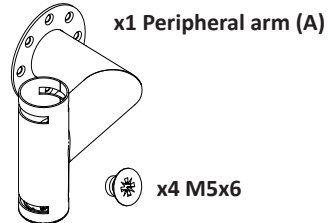
SPSK507 - landscape screens



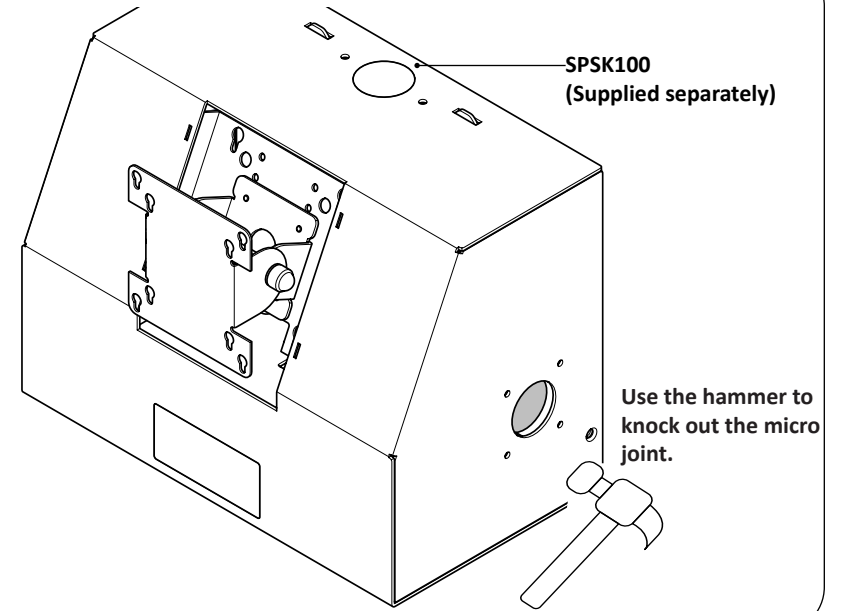
SPSK508 - portrait screens



SPSK509 - portrait screens

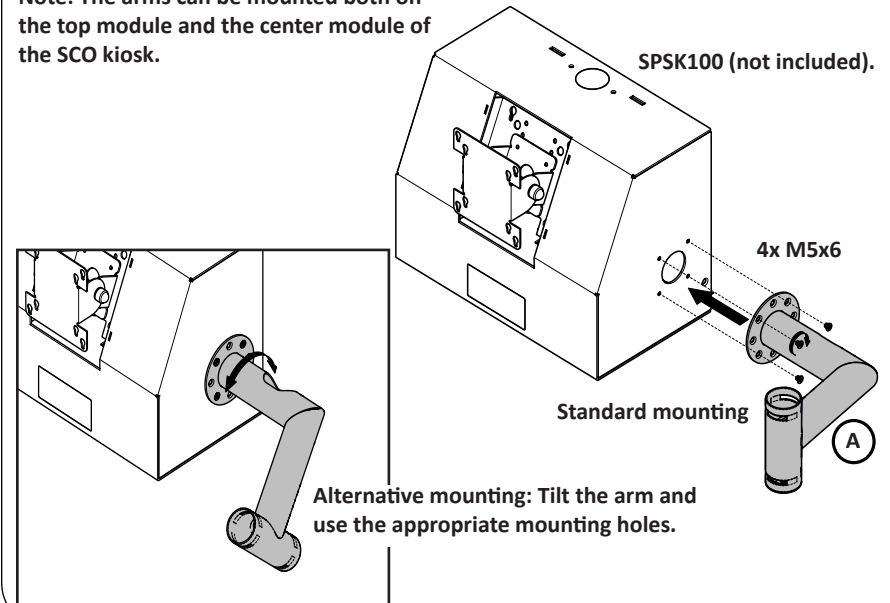


1 Knock out the micro joint



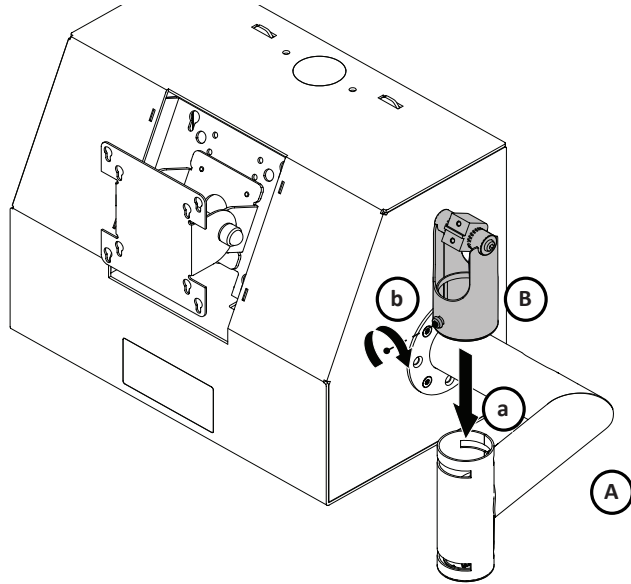
2 Mount the peripheral arm on SCO kiosk

Note: The arms can be mounted both on the top module and the center module of the SCO kiosk.

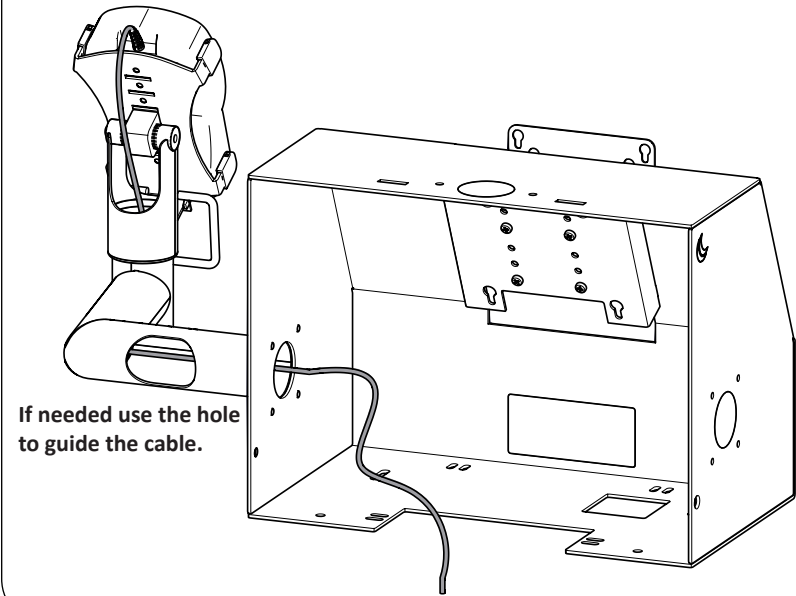


3 Mount DuraTilt

For SPSK506 and SPSK508

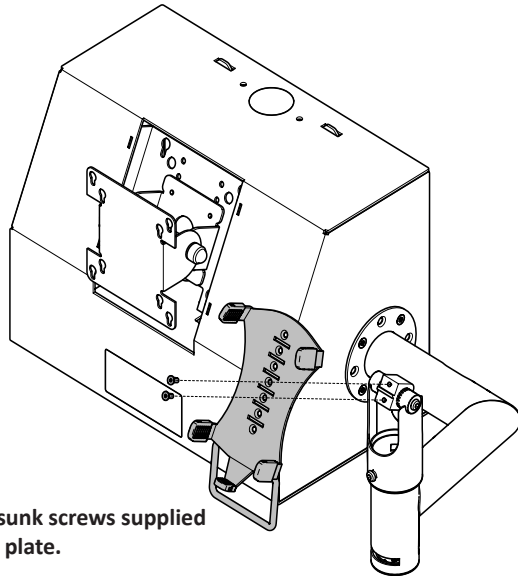


5 Cable management



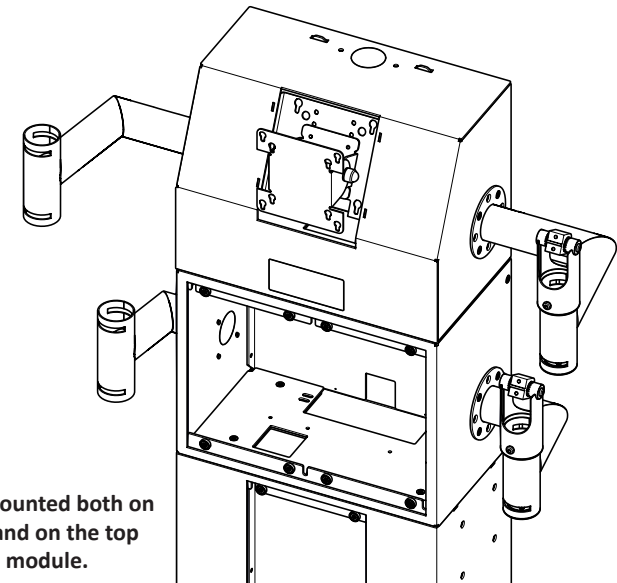
4 Mount MultiGrip plate

For SPSK506 and SPSK508



2x M4 countersunk screws supplied with MultiGrip plate.

Options for mounting



The arms can be mounted both on right and left side and on the top module and center module.